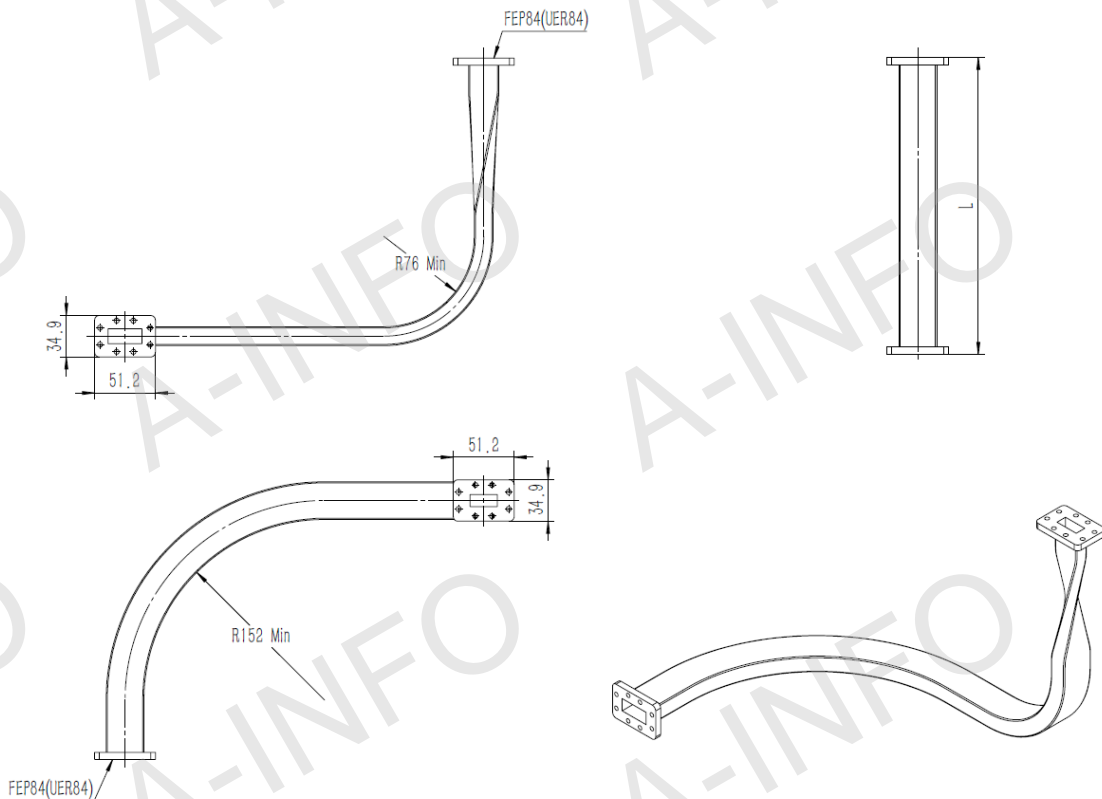


Technical Specification



EIA WR	WR112
Frequency Range(GHz)	7.05 - 10.0
Attenuation(dB/m)	0.40 Max.
VSWR	1.15:1 Max.
Average Power(KW)	1.2
Inner Size(mm)	28.50 x 12.62
Max.Twist(deg/m)	262
Min. E-Bend Radius(mm)	76
Min. H-Bend Radius(mm)	152
Flange	FEP84(UER84)
Jacket	Silicone Rubber
Operating Temp.(°C)	-55 ~ +85
Material	Cu
Length(mm)	800
Net Weight(Kg)	0.5 Around

Outline Drawing (Size: mm)



AINFO Inc.

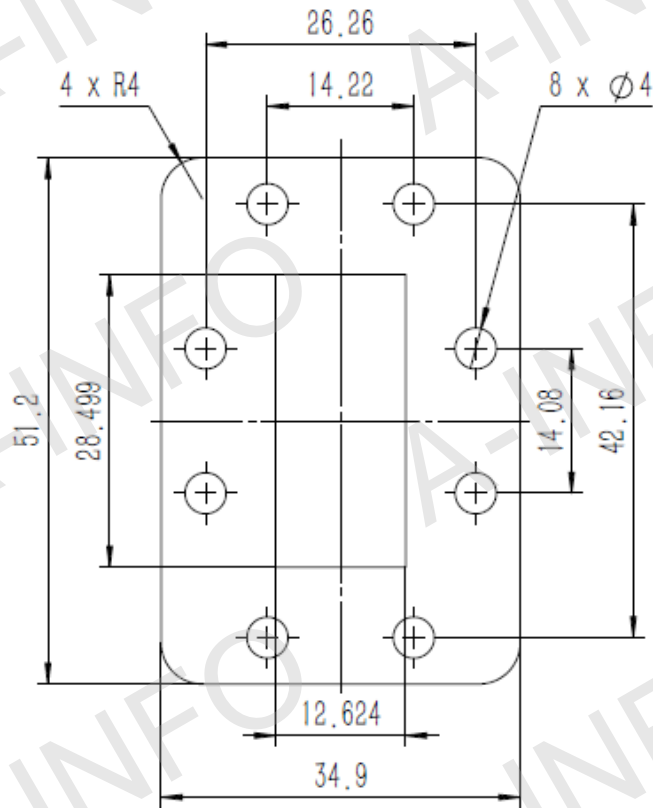
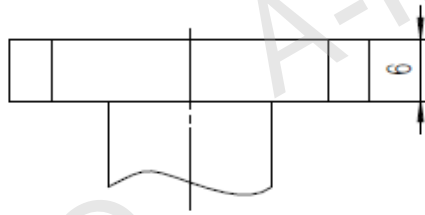
Page 1 of 3

China(Beijing): Tel: (+86) 10-6266-7326,
China(Chengdu): Tel: (+86) 28-8519-2786,
USA: Tel: (+1) 949-639-9688,

(+86) 10-6266-7327 Fax: (+86) 10-6266-7379
(+86) 28-8519-3044 Fax: (+86) 28-8519-3068
(+1) 949-639-9608 Fax: (+1) 949-639-9670

Website: www.ainfoinc.com
Email: sales@ainfoinc.com

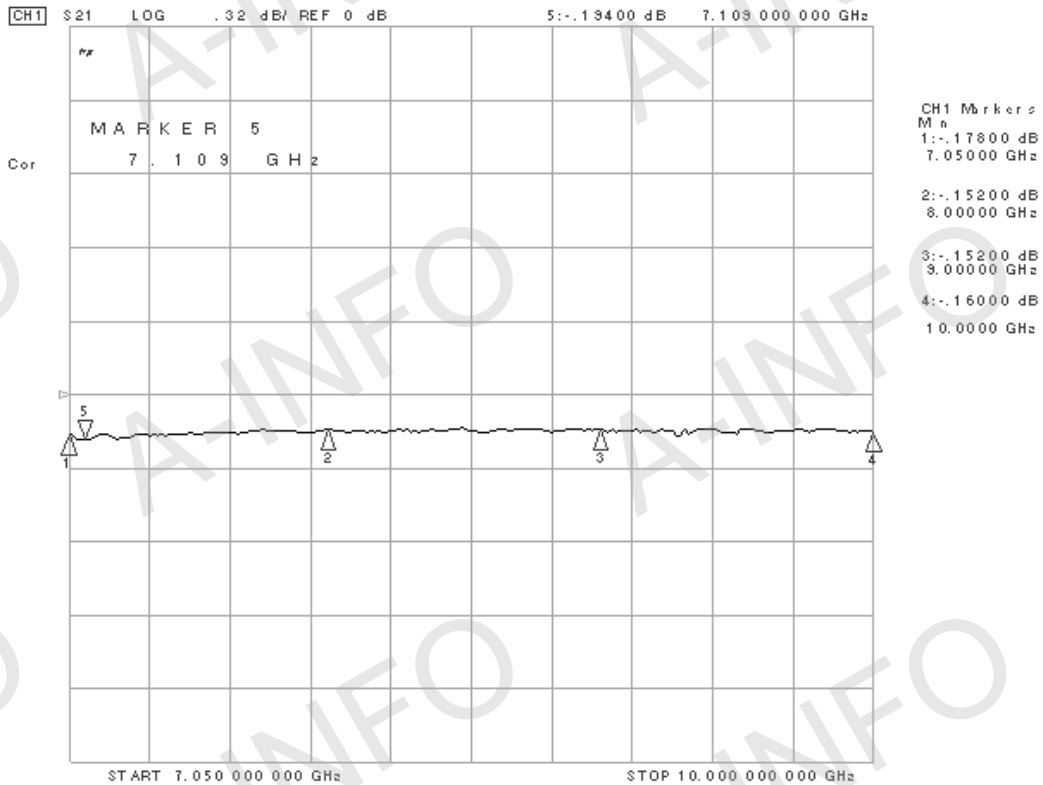
Flange Drawing (Size: mm)



FEP84

Test Results

Attenuation (I.L.: 0.2425dB/m Max.)



VSWR

